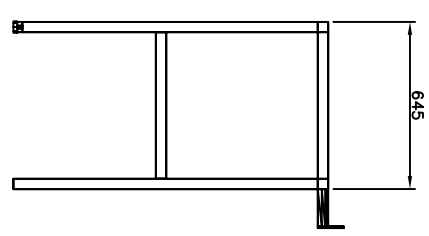
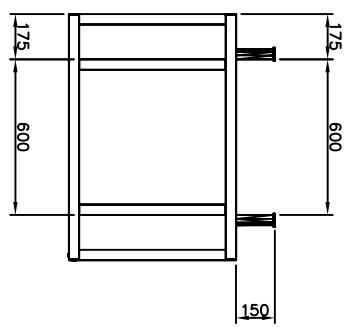
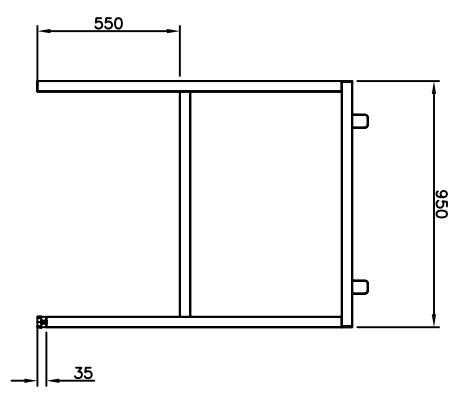
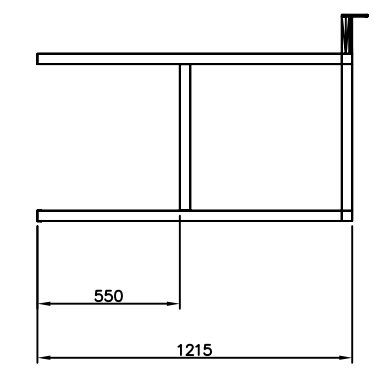
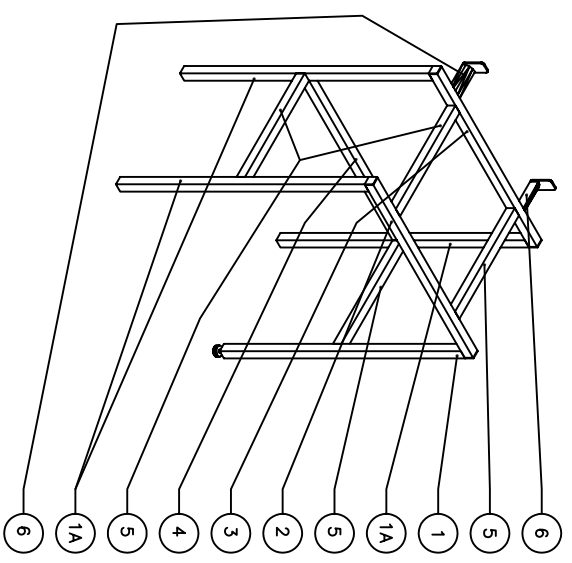


Part No. UA00043805



REVISION	0
DESCRIPTION	QUOTATION
DATE & SIG	M.F.H. 02.06.05
VERIFIED	J.W.D. 02.06.05

REVISION	DESCRIPTION	DATE & SIG	VERIFIED
1	Up to 20 to 50 above 50 to 200 above 200 to 500 above 500 to 1000 1000 and above	02.06.05	J.W.D.

TOLERANCES UNLESS OTHERWISE STATED	
Dimension in mm	Finishing
Up to 20 to 50	±0.1
above 50 to 200	±0.2
above 200 to 500	±0.4
above 500 to 1000	±0.8
1000 and above	±1.2
SCALE: 1 : 10	MAT ALUMINIUM

DATE	02.06.05
REVISION	1
CONTRACT NUMBER	1
DATE RELEASED	02.06.05
DESIGNER	M.F.H.
VERIFIED	J.W.D.
TITLE	TS AUTO PANEL TIERER STAND
DRAWING No.	43805-1
SHEET	1 of 8
REVISION	0

FRAME PROFILE
 3 842 528 485
 40 x 40 L
 3 842 528 548
 40 x 40 L R

NON DIMENSIONED
 EDGES 0,2x45°

DIMENSIONS
 IN mm

CUSTOMER=
 B R C

DRG No. =
 SKETCH